

# 2026 ART FORMOSA

福爾摩沙國際藝術博覽會

09.25 *Fri.*

09.28 *Mon.*

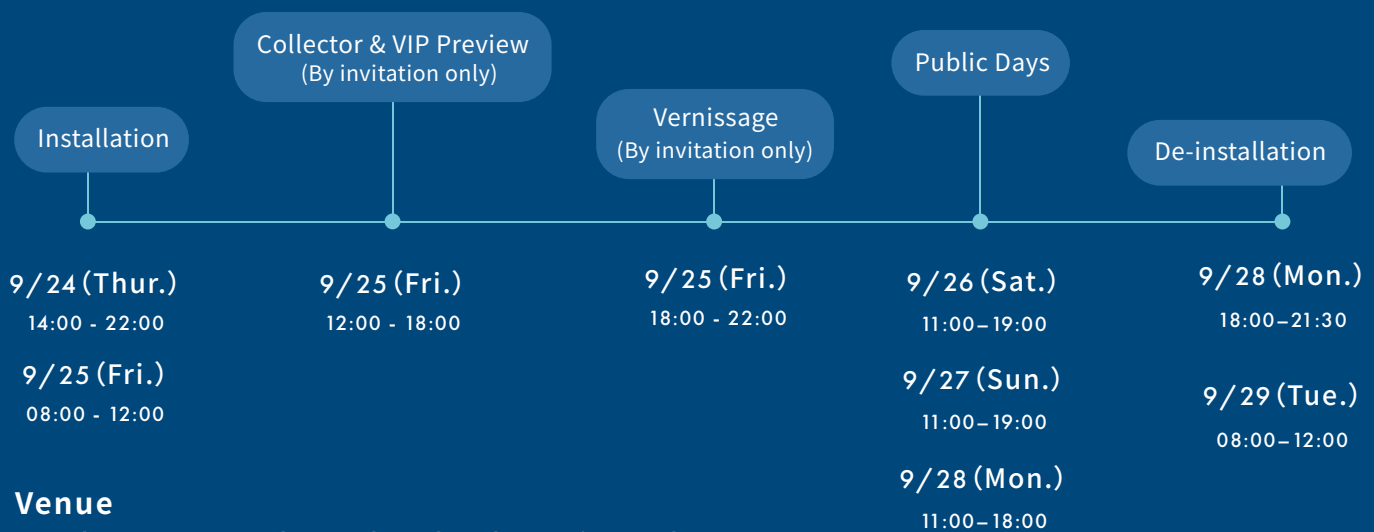
松山文化創意園區1號倉庫

Warehouse 1 Songshan Cultural and Creative Park

Founded in 2015, ART FORMOSA Art Fair has consistently upheld the principles of premium quality, refinement and contemporary relevance. Through collaborations with galleries and art fairs worldwide, ART FORMOSA presents an international exhibition platform in Taipei, bringing together participating galleries from South Korea, Japan, China, Vietnam, the Philippines, Singapore, Myanmar, Malaysia, and across East Asia. Today, ART FORMOSA has become one of Taiwan's most anticipated international art fairs.

In 2025, ART FORMOSA launched the "Three-Dimensional Art: Sculpture & New Media Installation" section, attracting leading domestic and international galleries and artists to showcase sculpture, installation and new media artworks. The fair welcomed over 10,000 visitors, establishing itself as the second-largest art fair in Taiwan following ART TAIPEI.

The 12th edition of ART FORMOSA will be held from 25–28 September 2026 at Songshan Cultural and Creative Park, Taipei. Continuing its signature panel-style exhibition format, the fair will present a diverse and dynamic showcase of contemporary art. We sincerely invite your gallery to participate in this distinguished international event.



## Venue

Warehouse 1, Songshan Cultural and Creative Park  
No. 133, Guangfu S. Rd., Xinyi Dist., Taipei City, Taiwan

## Application method

Please complete the application form (download by scanning the QR Code at the bottom left of the page) and submit the completed form to [artformosa.fair@gmail.com](mailto:artformosa.fair@gmail.com) (with the subject: "Gallery Name\_Apply for 2026 ART FORMOSA") before or on 15 June 2026. Please complete the transaction of a deposit of USD330 at the same time.

## Application Conditions and Review

1. The application data and materials will not be returned. If the application form is not completed completely or (some of) the required data/images are lacking, the application will not be accepted.
2. The galleries who apply and their participating artists will be reviewed by the review committee members.
3. The art fair organizer reserves the right to approve/disapprove the participation of the gallery on the basis of the decisions of the review committee.
4. The art fair organizer reserves the right to disqualify any participating gallery whose application content contains disinformation or who fails to comply with the terms and conditions specified here.
5. The participating gallery should not change its booth(s) at will or transfer its booth(s) to another gallery.

## SECTION

### A) Three-Dimensional Art: Sculpture & New Medium Installation

Dedicated to three-dimensional works, including standalone sculptures and new media installations. Open to artists of all generations; no age restrictions apply.

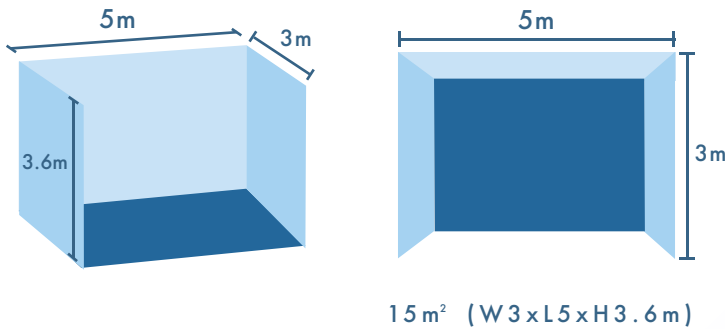
### B) Limited and Unlimited

Dedicated to editioned and reproducible works, including photography, video art, digital media, and fine art prints. Open to artists of all generations; no age restrictions apply.

### C) Modern & Contemporary

A diverse sector open to all artistic disciplines, mediums and conceptual frameworks. Open to artists of all generations; no age restrictions apply.

## Booth Options & Exhibition Packages



■ 15 m<sup>2</sup>

Dimensions | W3m × L5m × H3.6m

11m panel with 7 lights

### Fees

#### Section A)

[Three-Dimensional Art: Sculpture & New Media Installation]

USD 3360 (Tax Included)

#### Section B)

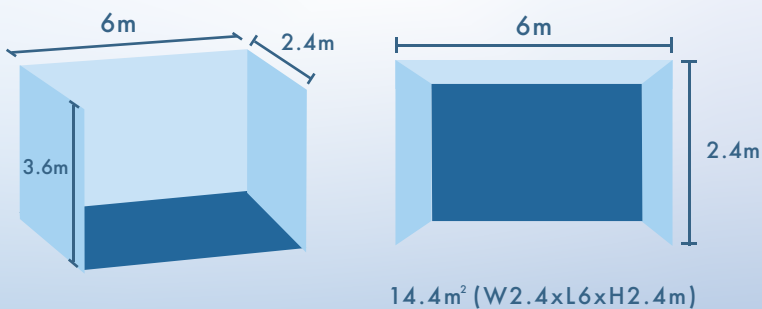
[Limited and Unlimited]

USD 3360 (Tax Included)

#### Section C)

[Modern & Contemporary]

USD 4200 (Tax Included)



■ 14.4 m<sup>2</sup>

Dimensions | W6m × L2.4m × H3.6m

10.8m panel with 7 lights

### Fees

#### Section D)

[Modern & Contemporary]

USD3885 (Tax Included)

# 2026 ART FORMOSA

福爾摩沙國際藝術博覽會

09.25 *Fri.*

09.28 *Mon.*

松山文化創意園區1號倉庫

Warehouse 1 Songshan Cultural and Creative Park

## Booth Equipment

For each booth 10 collector cards, 20 VIP cards, 20 one-day passes and 4 exhibitor cards will be provided; basic information about artwork and gallery will be published in the digital exhibition catalog for promotion.

## Important Dates

### 2025.6.23 | Notification of Application Results by Email

Results will be sent by email with the booth fee invoice and a media promotion form. Exhibitors must complete payment within 10 days and submit the completed form to confirm eligibility and secure participation.

### 2025.6.30 | Deadline for Booth Fee Payment

The payment date will be determined by the bank transaction receipt or check issue date. Priority is given to exhibitors who pay in full first. The committee reserves the right to disqualify any exhibitor who fails to pay the booth fee in full by the deadline, without refund of the deposit, and to replace them with the next gallery in order of priority.

---

## Application & Deposit Submission

1. Upon submitting an application, the exhibitor should proceed with the deposit of USD330.
2. If the application is rejected, the deposit will be refundable after deducting handling fees.
3. For exhibitors who complete the gallery registration and subsequently choose to withdraw based on their own discretion, the deposit will not be refunded.

## Notification of Application Results

Once the application is received, the committee will send out a confirmation mail. Please contact us ([artformosa.fair@gmail.com](mailto:artformosa.fair@gmail.com)) if you haven't received the mail within 5 days.

## Notices & Special Offer

1. Business tax is included.
2. 10% discount is offered to exhibitors who have participated in 2025 ART FORMOSA.
3. The booth type is limited and the organizer reserves the right of final decision.